



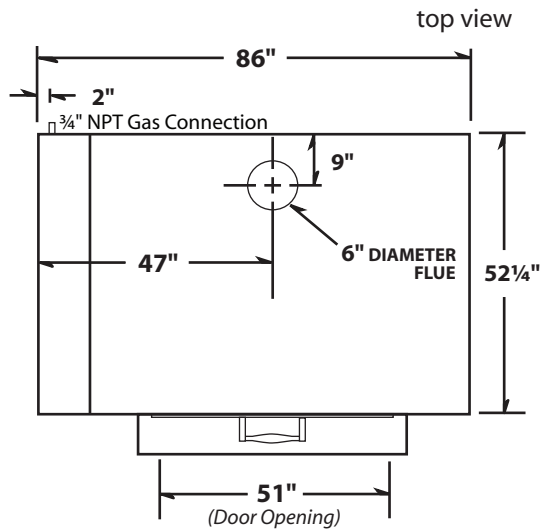
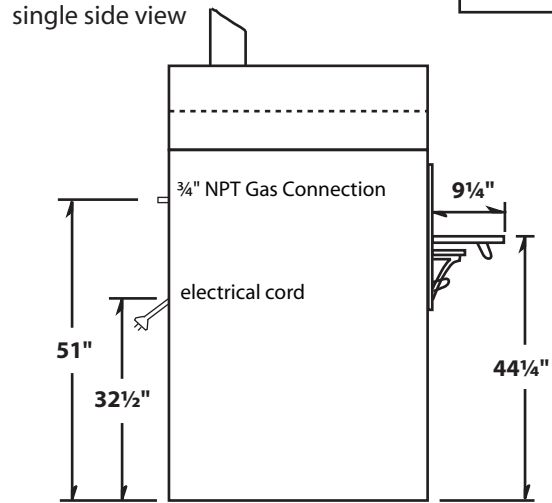
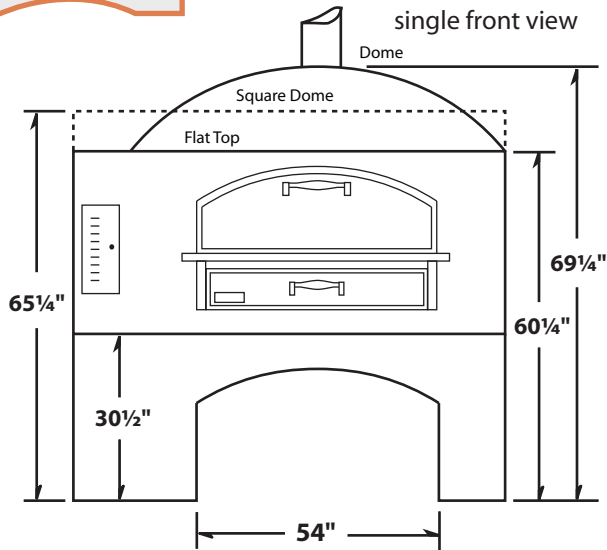
# 8 Pie MB Series Pizza Oven Specifications

Model No. MB866

Phone: (631) 226-6688

FAX: (631) 226-6890

Dotted Lines Indicate  
Flat Dome Model Dimensions



## specifications

	MB 866 Single	MB 866 Stacked
<b>Height</b>	Dome: 69 1/2"	Dome: 80 1/2"
	Square: 65 1/4"	Square: 76 1/4"
	Flat: 60 1/4"	Flat: 71 1/4"
<b>Depth x Length</b>	52 1/4" x 86"	52 1/4" x 86"
<b>Cooking Surface</b>	44" x 66"	44" x 66" x 2
<b>BTUs</b>	LP: 120,000	LP: 120,000 x 2
	NAT: 130,000	NAT: 130,000 x 2
<b>Electrical</b>	120 VAC	120 VAC
<b>Shipping Weight</b>	2,275 lbs.	4,250 lbs.

